

ORDINANCE NO. _____

An ordinance amending Sections 12.03, 12.04, 12.07, 12.07.01, 12.07.1, 12.08, 12.21, 12.21.1, 12.23, 12.28, 12.32, and 13.19 of the Los Angeles Municipal Code and adding Sections 12.21.6 and 13.20 to the Los Angeles Municipal Code to establish new regulations for all single-family residential zoned properties including RA, RE, RS, and R1, and to establish variations of the R1 Zone and also a Rear Detached Garage Supplemental Use District that may be applied to regulate garage placement in the RA, RE, RS, and R1 Zones.

WHEREAS, in 2008, in response to the proliferation of out-of-scale development in neighborhoods throughout the City of Los Angeles, the City Council approved the Baseline Mansionization Ordinance (BMO) (Ordinance No. 179,883), which established height and floor area ratio (FAR) limitations on developments in single-family residential zoned lots, not including those located in a Hillside Area or the Coastal Zone;

WHEREAS, in 2011, the City Council approved the Baseline Hillside Ordinance (BHO) (Ordinance No. 181,624) to address the same issue of out-of-scale development in hillside neighborhoods by establishing regulations for projects in the hillside areas, including limitations on residential floor area and the amount of allowable grading based on lot size;

WHEREAS, since the City Council's adoption of the BMO and BHO, out-of-scale development continues to occur in single-family neighborhoods throughout the City;

WHEREAS, in 2014, the City Council instructed the Department of City Planning to prepare and present an ordinance to amend the BMO and BHO in order to "stabilize the conflict of out-of-scale homes that continue to proliferate in entire neighborhoods;"

WHEREAS, in order to address the issue of out-of-scale development while the Department of City Planning developed amendments to the BMO and BHO, the City Council passed two interim control ordinances (ICOs) in March of 2015 to restrict development in five proposed historic preservation overlay zone areas and 15 single-family neighborhoods, including neighborhoods with properties in hillside areas (Ordinances Nos. 183,496 and 183,497), and in June of 2016, the City Council passed a third ICO to restrict development in five additional neighborhoods (Ordinance No. 184,381);

WHEREAS, the City Council extended all three ICOs pursuant to Government Code Section 65858, and therefore Ordinances Numbers 183,496 and 184,497 expire on March 25, 2017, and Ordinance Number 184,381 expires on June 29, 2018;

WHEREAS, the Department of City Planning has developed amendments to the BMO and BHO to regulate development in single-family zones and has also developed additional amendments to the Los Angeles Municipal Code to establish variations of the

R1 zone and a rear detached garage supplemental use district, in order to halt the proliferation of out-of-scale development; and

WHEREAS, once these amendments are adopted by the City Council they will replace the provisions of the three ICOs, except in the Brookside, Sycamore Square, and Miracle Mile neighborhoods, insofar as the Department of City Planning is working on ordinances specific to those neighborhoods that will replace the ICO regulations upon adoption; unless, however, the ICOs expire by operation of law before the new neighborhood-specific ordinances can be adopted.

NOW, THEREFORE,

**THE PEOPLE OF THE CITY OF LOS ANGELES
DO ORDAIN AS FOLLOWS:**

Section 1. Section 12.03 of the Los Angeles Municipal Code is amended by adding the following definitions, in alphabetical order, to read as follows:

BASE FLOOR. That story of a main building, at or above grade, which is not considered a basement, and which has the greatest number of square feet confined within the exterior walls, including the area of the attached covered parking at the same story.

BASEMENT. Any level below the First Story of a Building. The ceiling of a Basement shall not be more than four vertical feet higher than the finished floor level of the First Story.

ENCROACHMENT PLANE. An invisible inclined plane sloping inward at a forty-five degree angle from the vertical extension of the required front and side yard setbacks that originates at a specified height. A building may not intersect the encroachment plane. The encroachment plane restriction does not apply to roof structures and equipment as allowed by Section 12.21.1 B.3. For the purpose of this definition, height shall be measured from the existing or finished grade, whichever is lower, along the required front and side yard setbacks.

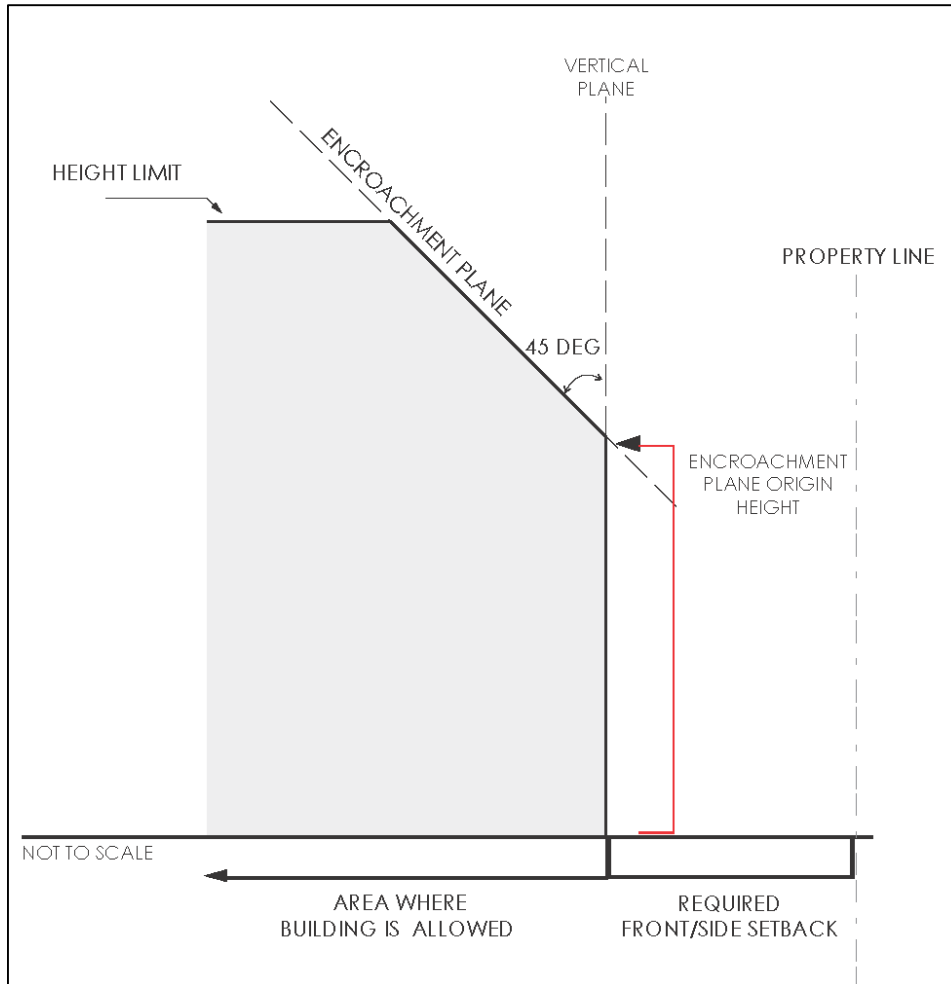


Figure 12.03-1: Encroachment Plane diagram. Different zones have different encroachment plane origin heights.

FLOOR AREA, RESIDENTIAL. The area in square feet confined within the exterior walls of a residential or non-residential Building on a Lot in an RA, RE, RS, or R1 Zone. Any floor or portion of a floor with a ceiling height greater than 14 feet shall count as twice the square footage of that area. The area of stairways and elevator shafts shall only be counted once regardless of ceiling height. Area of an attic or portion of an attic with a ceiling height of more than 7 feet shall be included in the Residential Floor Area calculation.

Except that the following areas shall not be counted:

1. **Required Covered Parking.**

- (a) The total area of 200 square feet per parking space that is required to be covered, up to a maximum of 400 square feet, shall be exempted from being counted as Residential Floor Area if

all of said parking, whether detached or attached, is located in accordance with the following criteria:

(1) Said parking is located within the rear half of the Lot, or at least 55 feet from a Front Lot Line.

(2) On a Through Lot with no Rear Lot Line, said parking is set back from both Front Lot Lines a distance of at least 40 feet.

(b) If the parking that is required to be covered is not located in accordance with Paragraph (a) above, then only 200 square feet shall be exempted from being counted as Residential Floor Area.

(c) In any event, the required parking area exempted from counting as Residential Floor Area by this exception shall be limited to 400 square feet per Lot.

2. **Detached Accessory Buildings.** Detached Accessory Buildings not exceeding 200 square feet; however, the total combined area exempted of all the Detached Accessory Buildings on a Lot shall not exceed 400 square feet.

3. **Lattice Roof Porches, Patios, and Breezeways.** Porches, patios, and breezeways that have a Lattice Roof, as defined in this section.

4. **Basements.** For Lots not located in the Hillside Area or Coastal Zone, any Basement when the Elevation of the upper surface of the floor or roof above the Basement does not exceed 2 feet in height at any point above the finished or natural Grade, whichever is lower.

For Lots located in the Hillside Area, any Basement when the Elevation of the upper surface of the floor or roof above the Basement does not exceed 3 feet in height at any point above the finished or natural Grade, whichever is lower, for at least 60 percent of the perimeter length of the exterior Basement walls.

For all Lots, the following shall not disqualify said Basement from this exemption:

(a) A maximum of one (1), 20-foot wide depressed driveway with direct access to the required covered parking spaces; and

(b) A maximum of two (2) light-wells which are not visible from a public right-of-way and do not project more than three feet from the exterior walls of the Basement and no wider than 6 feet.

FLOOR AREA RATIO, RESIDENTIAL (RFAR). A ratio establishing the relationship between a property and the amount of development permitted for that property, expressed as a percentage or a ratio of the Lot size (example: “0.45 of the Lot size”).

GRADE, HILLSIDE AREA. For the purpose of measuring height on an R1, RS, RE, or RA zoned Lot in the Hillside Area, pursuant to Section 12.21 C.10 of this Code, Hillside Area Grade shall be defined as the Elevation, at the perimeter of a Building or Structure, of the finished or natural surface of the ground, whichever is lower, or the finished surface of the ground established in conformance with a grading plan approved pursuant to a recorded tract or parcel map action. Retaining walls shall not raise the effective Elevation of Grade for purposes of measuring Height of a Building or Structure.

LOT, THROUGH. A lot having a frontage on two parallel or approximately parallel streets, but not including those lots having frontage on a street and frontage on a navigable public canal or waterway parallel or approximately parallel to said street.

STORY. The space in a Building between two vertically adjacent finished floor levels or, for the topmost level of a Building, the space between its finished floor level and the roof directly above it. Finished floor levels within four vertical feet of each other shall be deemed a single Story. Any space that is defined as a Basement is not considered a Story.

STORY, FIRST. The lowest Story of a Building where the finished floor level directly above the Story is more than six feet above grade for more than 50 percent of the total perimeter of the Building or is more than 12 feet above grade at any point. If no such Story exists, then the topmost Story of a Building shall be deemed the First Story.

Sec. 2. Subsection C of Section 12.04 of the Los Angeles Municipal Code is amended to read as follows:

C. In order to more adequately regulate and restrict the height and floor area of buildings and structures, each lot shall include a height district designation, except for lots in the HI Hybrid Industrial Live/Work Zone, where the height and floor area of buildings and structures shall be regulated by Section 12.04.06, and except for lots in the R1V, R1F, R1R One-Family Variation Zones, where the height and Residential Floor Area of buildings and structures shall be regulated by Sections 12.08 C.5(b)-(d). Height district designations shall be numbered from 1 to 4, CRA 1 to 4, EZ 1 to 4 and CSA 1 to 4, and shall regulate the height or floor area of buildings and structures as

provided in Sections 12.21.1, 12.21.2, 12.21.3, 12.21.4 and 12.21.5. The height districts and their boundaries are shown on the Zoning Map by a combination of zone symbols and height district number markings, e.g., R2-1, C2-2, M1-3, C1-CRA1, MS-EZ2, C2-CSA3, etc. Where a lot is located in more than one height district, the applicable zone symbol designations shall be separated by a slash mark, e.g., R2-CRA/CSA, C2-EZI/CRA2, etc. The symbol "HD" preceding height district number markings, when shown on the Zoning Map or used in a zoning ordinance, is an abbreviation for the words "height district" and refers to height districts. The height districts for the "CW" Zone are the height districts shown in Section 6 of the Central City West Specific Plan. The height districts for the "ADP" Zone are the height districts shown in Section 7 of the Alameda District Specific Plan. The height districts for the "LASED" Zone are the height districts shown in Section 10 of the Los Angeles Sports and Entertainment District Specific Plan. The height districts for the "USC-1A", "USC-1B", "USC-2" and "USC-3" Zones are the height districts shown in Section 7 of the University of Southern California University Park Campus Specific Plan. The height districts for the "PVSP" Zone are the Subareas shown in Section 5 of the Ponte Vista at San Pedro Specific Plan.

Sec. 3. Subsection D of Section 12.04 of the Los Angeles Municipal Code is amended to read as follows:

"O"	Oil Drilling District
"S"	Animal Slaughtering District
"G"	Surface Mining District
"RPD"	Residential Planning Development District
"K"	Equinekeeping District
"CA"	Commercial and Artcraft District
"POD"	Pedestrian Oriented District
"CDO"	Community Design Overlay District
"MU"	Mixed Use District
"FH"	Fence Height District
"SN"	Sign District
"RFA"	Residential Floor Area District
"NSO"	Neighborhood Stabilization Overlay District
"CPIO"	Community Plan Implementation Overlay District
"HS"	Hillside Standards Overlay District
"MPR"	Modified Parking Requirement District
"RIO"	River Improvement Overlay District
"CUGU"	Clean Up Green Up Overlay District
"RG"	Rear Detached Garage District

The "**Zoning Map**" is amended to indicate these districts and the boundaries of each district.

Land classified in an "O" Oil Drilling District, "S" Animal Slaughtering District, "G" Surface Mining District, "RPD" Residential Planned Development District, "K"

Equinekeeping District, "CA" Commercial and Artcraft District, "POD" Pedestrian Oriented District, "CDO" Community Design Overlay District, "MU" Mixed Use District, "FH" Fence Height District, "SN" Sign District, "RFA" Residential Floor Area District, "NSO" Neighborhood Stabilization Overlay District, "CPIO" Community Plan Implementation Overlay District, "RIO" River Improvement Overlay District, "CUGU" Clean Up Green Up Overlay District, or "RG" Rear Detached Garage District" is also classified in one or more zones, and land classified in the "P" Automobile Parking Zone may also be classified in an "A" or "R" Zone.

These classifications are indicated on the "Zoning Map" with a combination of symbols, e.g., **R2-2-O**, **C2-4-S**, **M1-3-G**, **M1-1-P** and **R2-O**, **C2-G**, etc., where height districts have not been established.

Sec. 4. Subdivision 5 of Subsection C of Section 12.07 of the Los Angeles Municipal Code is amended to read as follows:

5. **Maximum Residential Floor Area.** For a lot located in a Hillside Area or Coastal Zone, the maximum Residential Floor Area shall comply with Section 12.21.1 A 1 of this Code.

For all other lots, the maximum Residential Floor Area contained in all buildings and accessory buildings shall not exceed 25 percent of the lot area when the lot is less than 20,000 square feet. For lots 20,000 square feet or greater, the maximum Residential Floor Area shall not exceed 20 percent of the lot area, or 5,000 square feet, whichever is greater.

An additional 20 percent of the maximum Residential Floor Area for that lot shall be allowed if any of the methods listed below are utilized. Only one 20 percent bonus per property is allowed.

(a) The total Residential Floor Area of each story other than the base floor in a multi-story building does not exceed 75 percent of the base floor area; or

(b) The cumulative length of the exterior walls facing the front lot line, equal to a minimum of 25 percent of the building width, shall be stepped-back a distance of at least 20 percent of the building depth from a plane parallel to the lot width established at the point of the building closest to the front lot line. When the front lot line is not straight, a line connecting the points where the side lot lines and the front lot line intersect shall be used. When through-lots have two front yards, the step-back shall be provided along both front lot lines.

For the purposes of this provision, all exterior walls that intersect a plane parallel to the front lot line at 45 degrees or less shall be considered to be facing the front lot line. The building width shall be the greatest

distance between the exterior walls of the building measured parallel to the lot width. The building depth shall be the greatest distance between the exterior walls of the building measured parallel to the lot depth.

Sec. 5. Subdivision 6 of Subsection C of Section 12.07 of the Los Angeles Municipal Code is amended to read as follows:

6. **Verification of Existing Residential Floor Area.** For additions with cumulative Residential Floor Area of less than 1,000 square feet constructed after January 1, 2008, or remodels of buildings built prior to January 1, 2008, the existing Residential Floor Area shall be determined based on the building records or the building square footage shown on the most recent Los Angeles County Tax Assessor's records at the time the plans are submitted to the Department of Building and Safety and a plan check fee is paid. Except that Residential Floor Area may be calculated as defined in Section 12.03 of this Code when a complete set of fully dimensioned plans with area calculations of all the structures on the lot, prepared by a licensed architect or engineer, is submitted by the applicant.

Any work that does not qualify as a remodel, as defined in the paragraph below, or additions that are 1,000 square feet or larger shall require a complete set of fully dimensioned plans with area calculations of all the structures on the lot prepared by a licensed architect or engineer.

For the purposes of implementing this subdivision, a remodel shall mean the alteration of an existing building or structure provided that at least 50 percent of the perimeter length of the contiguous exterior walls and 50 percent of the roof are retained.

Sec. 6. Subdivision 5 of Subsection C of Section 12.07.01 of the Los Angeles Municipal Code is amended to read as follows:

5. **Maximum Residential Floor Area.** For a lot located in a Hillside Area or Coastal Zone, the maximum Residential Floor Area shall comply with Section 12.21.1 A 1 of this Code.

For all other lots, the maximum Residential Floor Area contained in all buildings and accessory buildings shall be as follows: In the RE9 and RE11 Zones, the maximum Residential Floor Area shall be 40 percent of the lot area when the lot is less than 15,000 square feet. For lots 15,000 square feet or greater in the RE9 and RE11 Zones, the maximum Residential Floor Area shall be 35 percent of the lot area or 6,000 square feet, whichever is greater. For lots in the RE15, RE20 and RE40 Zones, the maximum Residential Floor Area shall be 35 percent of the lot area.

An additional 20 percent of the maximum Residential Floor Area for that lot shall be allowed if any of the methods listed below are utilized. Only one 20 percent bonus per property is allowed.

(a) The total Residential Floor Area of each story other than the base floor in a multi-story building does not exceed 75 percent of the base floor area; or

(b) The cumulative length of the exterior walls facing the front lot line, equal to a minimum of 25 percent of the building width shall be stepped-back a distance of at least 20 percent of the building depth from a plane parallel to the lot width established at the point of the building closest to the front lot line. When the front lot line is not straight, a line connecting the points where the side lot lines and the front lot line intersect shall be used. When through-lots have two front yards, the step-back shall be provided along both front lot lines.

For the purposes of this provision, all exterior walls that intersect a plane parallel to the front lot line at 45 degrees or less shall be considered to be facing the front lot line. The building width shall be the greatest distance between the exterior walls of the building measured parallel to the lot width. The building depth shall be the greatest distance between the exterior walls of the building measured parallel to the lot depth.

Sec. 7. Subdivision 6 of Subsection C of Section 12.07.01 of the Los Angeles Municipal Code is amended to read as follows:

6. Verification of Existing Residential Floor Area. For additions with cumulative Residential Floor Area of less than 1,000 square feet constructed after January 1, 2008, or remodels of buildings built prior to January 1, 2008, the existing Residential Floor Area shall be determined based on the building records or the building square footage shown on the most recent Los Angeles County Tax Assessor's records at the time the plans are submitted to the Department of Building and Safety and a plan check fee is paid. Except that Residential Floor Area may be calculated as defined in Section 12.03 of this Code when a complete set of fully dimensioned plans with area calculations of all the structures on the lot, prepared by a licensed architect or engineer, is submitted by the applicant.

Any work that does not qualify as a remodel, as defined in the paragraph below, or additions that are 1,000 square feet or larger shall require a complete set of fully dimensioned plans with area calculations of all the structures on the lot prepared by a licensed architect or engineer.

For the purposes of implementing this subdivision, a remodel shall mean the alteration of an existing building or structure provided that at least 50 percent

of the perimeter length of the contiguous exterior walls and 50 percent of the roof are retained.

Sec. 8. Subdivision 5 of Subsection C of Section 12.07.1 of the Los Angeles Municipal Code is amended to read as follows:

5. Maximum Residential Floor Area. For a lot located in a Hillside Area or Coastal Zone, the maximum floor area shall comply with Section 12.21.1 A 1 of this Code.

For all other lots, the maximum Residential Floor Area contained in all buildings and accessory buildings shall not exceed 45 percent of the lot area when the lot is less than 9,000 square feet. For Lots 9,000 square feet or greater, the Residential Floor Area shall not exceed 40 percent of the lot area or 4,050 square feet, whichever is greater.

An additional 20 percent of the maximum Residential Floor Area for that lot shall be allowed if any of the methods listed below are utilized. Only one 20 percent bonus per property is allowed.

(a) The total Residential Floor Area of each story other than the base floor in a multi-story building does not exceed 75 percent of the base floor area; or

(b) The cumulative length of the exterior walls facing the front lot line, equal to a minimum of 25 percent of the building width shall be stepped-back a distance of at least 20 percent of the building depth from a plane parallel to the lot width established at the point of the building closest to the front lot line. When the front lot line is not straight, a line connecting the points where the side lot lines and the front lot line intersect shall be used. When through-lots have two front yards, the step-back shall be provided along both front lot lines.

For the purposes of this provision, all exterior walls that intersect a plane parallel to the front lot line at 45 degrees or less shall be considered to be facing the front lot line. The building width shall be the greatest distance between the exterior walls of the building measured parallel to the lot width. The building depth shall be the greatest distance between the exterior walls of the building measured parallel to the lot depth.

Sec. 9. Subdivision 6 of Subsection C of Section 12.07.1 of the Los Angeles Municipal Code is amended to read as follows:

6. Verification of Existing Residential Floor Area. For additions with cumulative Residential Floor Area of less than 1,000 square feet constructed after January 1, 2008, or remodels of buildings built prior to January 1, 2008, the existing Residential Floor Area shall be determined based on the building records

or the building square footage shown on the most recent Los Angeles County Tax Assessor's records at the time the plans are submitted to the Department of Building and Safety and a plan check fee is paid. Except that Residential Floor Area may be calculated as defined in Section 12.03 of this Code when a complete set of fully dimensioned plans with area calculations of all the structures on the lot, prepared by a licensed architect or engineer, is submitted by the applicant.

Any work that does not qualify as a remodel, as defined in the paragraph below, or additions that are 1,000 square feet or larger shall require a complete set of fully dimensioned plans with area calculations of all the structures on the lot prepared by a licensed architect or engineer.

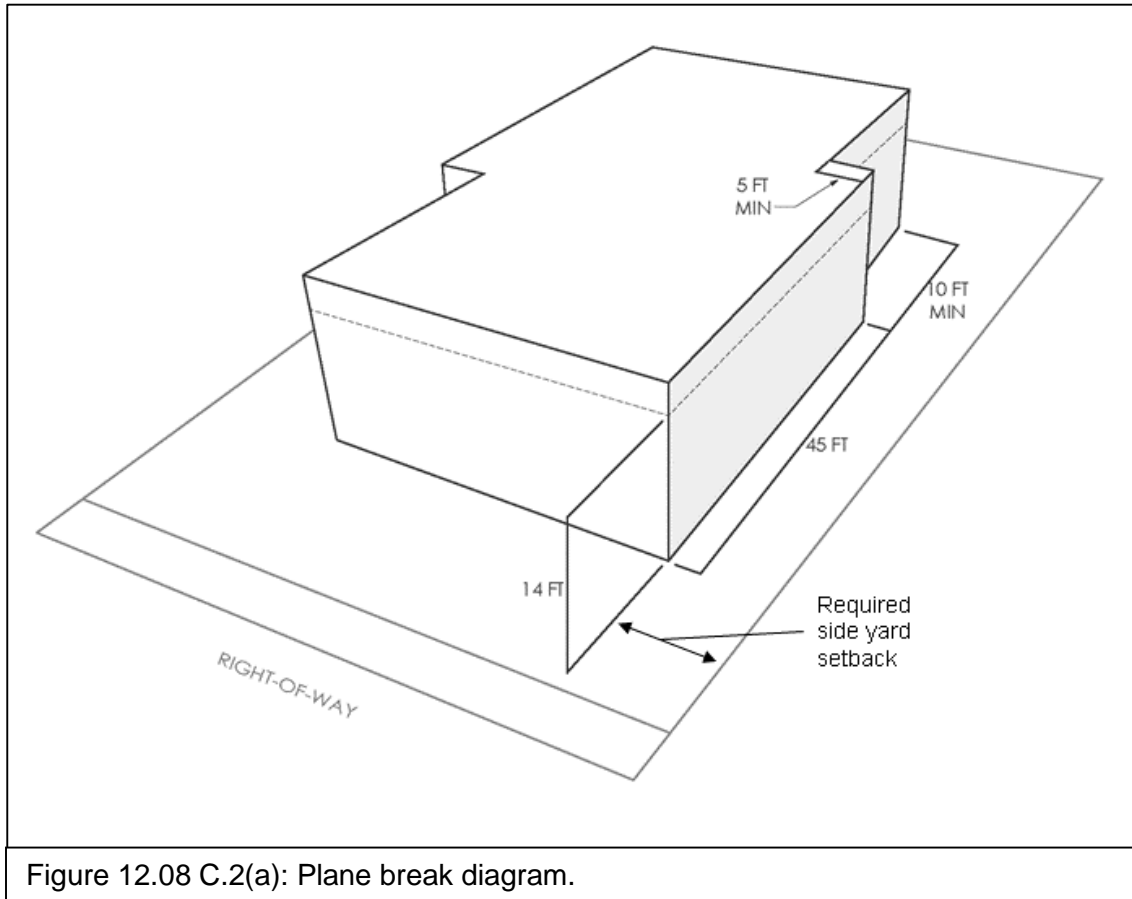
For the purposes of implementing this subdivision, a remodel shall mean the alteration of an existing building or structure provided that at least 50 percent of the perimeter length of the contiguous exterior walls and 50 percent of the roof are retained.

Sec. 10. Subdivision 2 of Subsection C of Section 12.08 of the Los Angeles Municipal Code is amended to read as follows:

2. Side Yards.

(a) For a main building not more than two stories in height, there shall be a side yard on each side of the building of not less than 5 feet, except that where the lot is less than 50 feet in width, the side yard may be reduced to 10 percent of the width of the lot, but in no event to less than 3 feet in width. For a building more than two stories in height, 1 foot shall be added to the width of each yard for each additional story above the second story.

All portions of a building that have a side wall exceeding 14 feet in height and a continuous length greater than 45 feet shall have an offset/plane break that is a minimum depth of five feet beyond the required yard and a minimum length of 10 feet. For the purpose of this Subdivision, height shall be measured from the existing or finished grade, whichever is lower, at each point along the perimeter of the building.



(b) In lieu of the additional one-foot side yard for each story above the second story as required above, for new construction of a main building or a ground floor addition to the main building on a lot not located in a Hillside Area or Coastal Zone, one-foot shall be added to each required side yard for each increment of ten feet or fraction thereof above the first 18 feet.

(c) Side yard requirements in specific plans, Historic Preservation Overlay Zones or in subdivision approvals shall take precedence over this subdivision. This subdivision shall apply in these areas, however, when there are no such side yard requirements.

(d) Any occupied rooftop deck shall be set back at least three feet from the minimum required side yard. This provision shall not apply to any rooftop deck located on the street side of a Corner Lot.

Sec. 11. Subdivision 5 of Subsection C of Section 12.08 of the Los Angeles Municipal Code is amended to read as follows:

5. Maximum Residential Floor Area and Massing.

(a) **R1.** For a lot located in a Hillside Area or Coastal Zone, the maximum floor area shall comply with Section 12.21.1 A 1 of this Code.

For lots outside of a Hillside Area or Coastal Zone, the maximum Residential Floor Area contained in all buildings and accessory buildings shall not exceed 45 percent of the lot area (a Residential Floor Area ratio of 0.45).

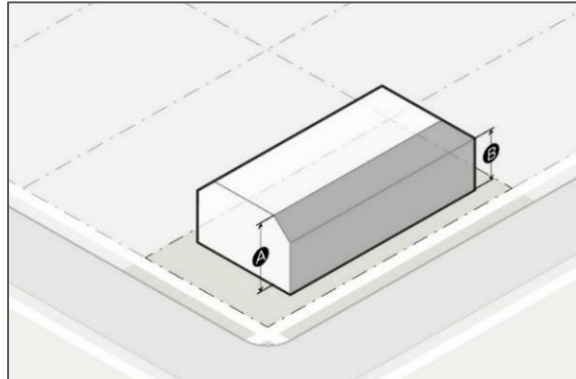
The encroachment plane shall originate from a point that is 20 feet in height from the existing or finished grade, whichever is lower, along the required front and side yard setbacks.

(b) **R1V, Variable-Mass.** These zones are intended to address issues of neighborhood character and to facilitate the compatibility of new construction, additions, and alterations in single-family neighborhoods having an existing variety of building forms. The intent of this variation is to allow flexibility in the location of massing within a maximum building envelope that respects the scale of other houses in the vicinity.

The maximum Residential Floor Area contained in all buildings on a lot shall not exceed the specified Residential Floor Area ratio for the corresponding zone per size of the lot as listed in Table 12.08 C.5(b). The maximum lot coverage, maximum Height of Building, and maximum height at which the encroachment plane begins shall not exceed the amounts specified for each zone in Table 12.08 C.5(b).

Table 12.08 C.5(b)

R1 VARIABLE-MASS VARIATION ZONES DEVELOPMENT STANDARDS



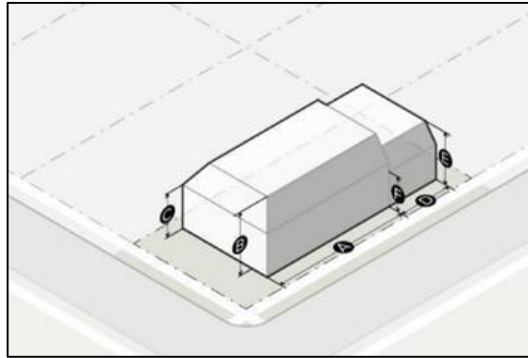
Lot Size and Residential Floor Area Ratio		R1V1	R1V2	R1V3	R1V4	Max Lot Coverage
	Up to 6,000 SF	.65	.55	.45	.40	50%
	6,001 to 7,000 SF	.63	.53	.43	.38	48%
	7,001 to 8,000 SF	.61	.51	.41	.36	46%
	8,001 to 9,000 SF	.59	.49	.39	.34	44%
	9,001 to 10,000 SF	.57	.47	.37	.32	42%
	Over 10,000 SF	.55	.45	.35	.30	40%
Mass						
(A)	Height of Building (max)	30'	30'	28'	20'	
(B)	Encroachment Plane Origin Height	22'	22'	20'	14'	
	Angle of Encroachment Plane	45°	45°	45°	45°	

(c) **R1F, Front-Mass.** These zones are intended to address issues of neighborhood character and to facilitate the compatibility of new construction, additions and alterations in single-family neighborhoods where the predominate building form includes a two-story mass at the front of the lot and a one-story mass at the rear of the lot. The intent of this variation is to allow taller massing at the front of the lot and mandate shorter massing at the rear of the lot that respects the scale and form of other houses in the vicinity.

The maximum Residential Floor Area contained in all buildings shall not exceed the specified Residential Floor Area ratio for the corresponding zone per size of the lot as listed in Table 12.08 C.5(c). The maximum lot coverage, the maximum height of the front and rear masses, and the maximum height at which the encroachment plane begins for the front and rear masses shall not exceed the amounts specified for each zone in Table 12.08 C.5(c).

Table 12.08 C.5(c)

R1 FRONT-MASS VARIATION ZONES DEVELOPMENT STANDARDS



Lot Size and Residential Floor Area Ratio	R1F1	R1F2	R1F3	R1F4	Max Lot Coverage
Up to 6,000 SF	.65	.55	.45	.40	50%
6,001 to 7,000 SF	.63	.53	.43	.38	48%
7,001 to 8,000 SF	.61	.51	.41	.36	46%
8,001 to 9,000 SF	.59	.49	.39	.34	44%
9,001 to 10,000 SF	.57	.47	.37	.32	42%
Over 10,000 SF	.55	.45	.35	.30	40%
Front Mass					
(A) Front envelope depth, from front yard setback (min)	-	-	-	-	
(B) Height of Mass (max)	30'	30'	28'	26'	
(C) Encroachment Plane Origin Height	22'	22'	20'	18'	
Angle of Encroachment Plane	45°	45°	45°	45°	
Rear Mass					
(D) Rear envelope depth, from rear yard setback (min)	25'	25'	25'	25'	
(E) Height of Mass (max)	24'	24'	20'	18'	
(F) Encroachment Plane Origin Height	16'	16'	14'	14'	
Angle of Encroachment Plane	45°	45°	45°	45°	

(d) **R1R, Rear-Mass.** These zones are intended to address issues of neighborhood character and to facilitate the compatibility of new construction, additions and alterations in single-family neighborhoods where the predominate building form includes a one-story mass at the front of the lot and a two-story mass at the rear of the lot. The intent of

this variation is to mandate shorter massing at the front of the lot and allow taller massing at the rear of the lot that respects the scale and form of other houses in the vicinity.

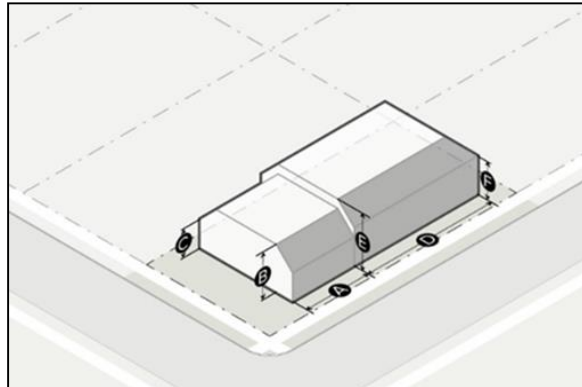
The maximum Residential Floor Area contained in all buildings shall not exceed the specified Residential Floor Area ratio for the corresponding zone per size of the lot as listed in Table 12.08 C.5(d). The maximum lot coverage, the maximum height of the front and rear masses, and the maximum height at which the encroachment plane begins for the front and rear masses shall not exceed the amounts specified for each zone in Table 12.08 C.5(d).

(1) Exceptions.

- (i) Lots that are 90 feet or less in depth shall not be subject to two different massing requirements. Said lots shall be exempt from the Front Mass development standards listed in Table 12.08 C.5(d), and instead the Rear Mass massing requirements specified in Table 12.08 C.5(d) shall apply to the entire building.

Table 12.08 C.5(d)

R1 REAR-MASS VARIATION ZONES DEVELOPMENT STANDARDS



Lot Size and Residential Floor Area Ratio		R1R1	R1R2	R1R3	R1R4	Max Lot Coverage
	Up to 6,000 SF	.65	.55	.45	.40	50%
	6,001 to 7,000 SF	.63	.53	.43	.38	48%
	7,001 to 8,000 SF	.61	.51	.41	.36	46%
	8,001 to 9,000 SF	.59	.49	.39	.34	44%
	9,001 to 10,000 SF	.57	.47	.37	.32	42%
	Over 10,000 SF	.55	.45	.35	.30	40%
Front Mass						
(A)	Front envelope depth, from front yard setback (min)	30'	30'	30'	30'	
(B)	Height of Mass (max)	24'	24'	20'	18'	
(C)	Encroachment Plane Origin Height	16'	16'	12'	12'	
	Angle of Encroachment Plane	45°	45°	45°	45°	
Rear Mass						
(D)	Rear envelope depth, from rear yard setback (min)	-	-	-	-	
(E)	Height of Mass (max)	30'	30'	28'	26'	
(F)	Encroachment Plane Origin Height	22'	22'	20'	18'	
	Angle of Encroachment Plane	45°	45°	45°	45°	

(e) **R1H, Hillside Area.** These zones are intended to address issues of neighborhood character and to facilitate the compatibility of new construction, additions and alterations to one-family houses in Hillside Areas having an existing variety of building forms. The intent of this variation is to allow flexibility in the location of massing within a maximum building envelope that respects the scale of other houses in the vicinity. A

lot designated an R1H Zone shall comply with all of the R1 Hillside Area Development Standards pursuant to Section 12.21 C.10, except that R1H lots shall be subject to the Residential Floor Area ratios in Table 12.21 C.10-2b of their corresponding zone.

Sec. 12. Subdivision 6 of Subsection C of Section 12.08 of the Los Angeles Municipal Code is amended to read:

6. **Verification of Existing Residential Floor Area.** For additions with cumulative Residential Floor Area of less than 1,000 square feet constructed after January 1, 2008, or remodels of buildings built prior to January 1, 2008, the existing Residential Floor Area shall be determined based on the building records or the building square footage shown on the most recent Los Angeles County Tax Assessor's records at the time the plans are submitted to the Department of Building and Safety and a plan check fee is paid. Except that Residential Floor Area may be calculated as defined in Section 12.03 of this Code when a complete set of fully dimensioned plans with area calculations of all the structures on the lot, prepared by a licensed architect or engineer, is submitted by the applicant.

Any work that does not qualify as a remodel, as defined in the paragraph below, or additions that are 1,000 square feet or larger shall require a complete set of fully dimensioned plans with area calculations of all the structures on the lot prepared by a licensed architect or engineer.

For the purposes of implementing this subdivision, a remodel shall mean the alteration of an existing building or structure provided that at least 50 percent of the perimeter length of the contiguous exterior walls and 50 percent of the roof are retained.

Sec. 13. New Subdivision 7 of Subsection C of Section 12.08 of the Los Angeles Municipal Code is added to read:

7. **Definitions and Standards.** For the purposes of this Subsection the following definitions and standards shall apply:

a. **Height of Mass, Front or Rear.** The height of the front mass is the vertical distance above Grade measured to the highest point of the roof, structure, or parapet wall, whichever is highest of the front mass. The height of the rear mass is the vertical distance above Grade measured to the highest point of the roof, structure, or parapet wall, whichever is highest of the rear mass. Retaining walls shall not be used for the purpose of raising the effective elevation of the finished grade for purposes of measuring the height of either mass.

However, whenever the highest point of elevation of the adjoining sidewalk or ground surface within a 5-foot horizontal distance measured from the exterior wall of a building exceeds grade level by more than 20 feet, a building or structure may exceed the maximum front or rear mass height in number of feet prescribed in this section by not more than 12 feet. However, such additional height shall not be permitted to the extent that such additional height causes any portion of the building or structure to exceed a front or rear mass height in number of feet as prescribed by this section as measured from the highest point of the front or rear mass roof structure or parapet wall to the elevation of the ground surface which is vertically below this point of measurement.

b. **Lot Coverage is the area of a parcel covered by any structures** extending more than six feet above grade. However, 400 square feet of required covered parking that is detached and located within the rear half of the lot shall be exempt from lot coverage calculations.

Sec. 14. Paragraph (f) of Subdivision 5 of Subsection A of Section 12.21 of the Los Angeles Municipal Code is amended to read as follows:

(f) **Driveway Width.** Every access driveway shall be at least 9 feet in width in the A, RE, RS, R1, RU, RZ, R2, RMP and RW Zones, and 10 feet in width in the RD, R3, RAS3, R4, RAS4, R5, P, PB, C and M Zones; provided, however, every access driveway serving a parking area or garage having a capacity of more than 25 automobiles or trucks shall be at least 19 feet in width, or in lieu thereof, there shall be two access driveways, each of which is at least 10 feet in width; provided, further, however, that an access driveway serving an apartment house erected in the R2 Zone shall be at least 10 feet in width.

Except that in the R1 Zone, when not designated as a Hillside Area on the Department of City Planning Hillside Area Map, driveway width at the front property line shall not exceed 25 percent of the lot width or the width of any currently existing driveway, whichever is greater; provided, however, that nothing in this paragraph shall be deemed to require a driveway less than 9 feet in width at the front property line.

Sec. 15. The first Paragraph of Subdivision 10 of Subsection C of Section 12.21 of the Los Angeles Municipal Code is amended to read as follows:

10. **Single-Family Zone Hillside Area Development Standards.** Except as allowed by Section 12.24 F and 14.00 A of this Code, for any Lot zoned R1, RS, RE or RA and designated Hillside Area on the Department of City Planning Hillside Area Map, no Building or Structure nor the addition or Major Remodel-Hillside of any Building or Structure shall be erected or maintained

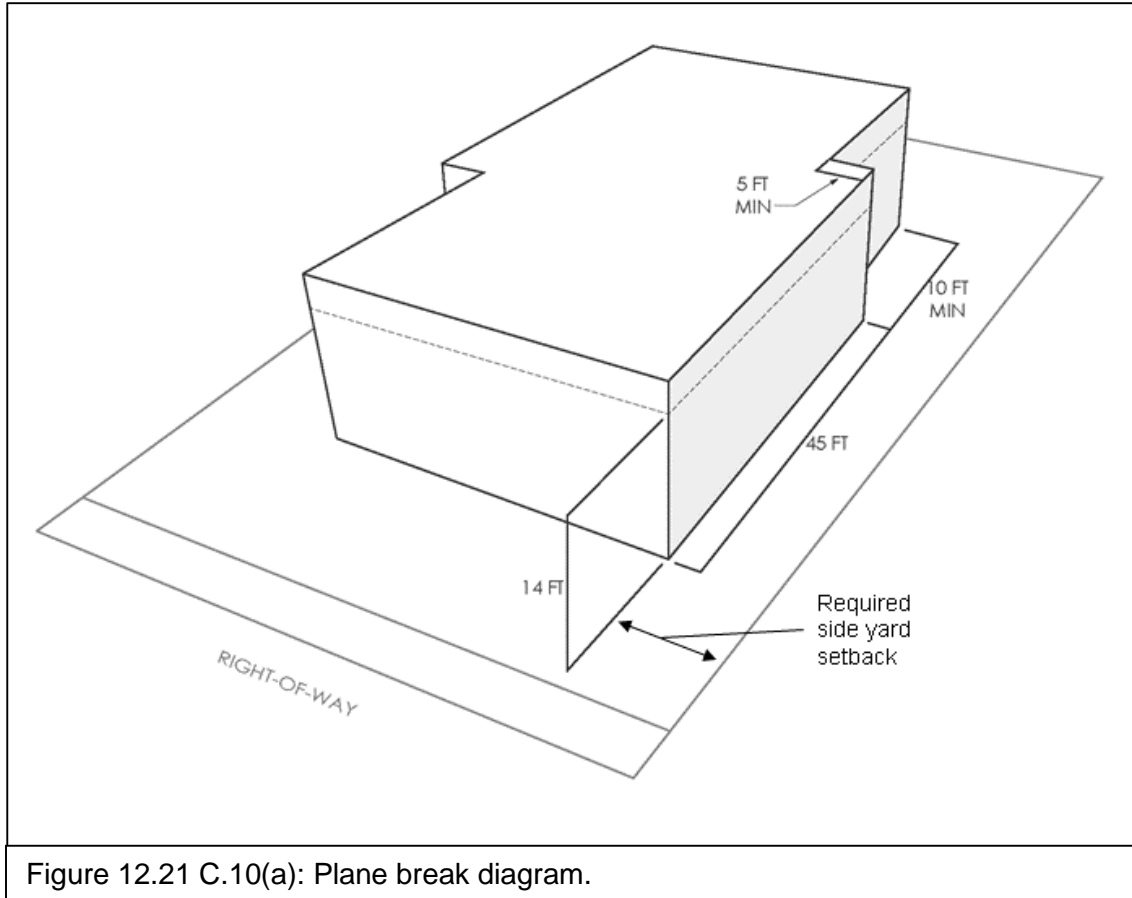
unless the following development standards are provided and maintained in connection with the Building, Structure, addition or remodel:

Sec. 16. Paragraph (a) of Subdivision 10 of Subsection C of Section 12.21 of the Los Angeles Municipal Code is amended to read as follows:

(a) **Setback Requirements.** No Building or Structure shall be erected, enlarged or undergo a Major Remodel-Hillside unless the setbacks as outlined in Table 12.21 C.10-1 are provided and maintained in connection with the Building, Structure, or enlargement.

Table 12.21 C.10-1 Single-Family Zone Hillside Area Setback Requirements								
	R1	RS	RE9	RE11	RE15	RE20	RE40	RA
Front Yard								
Not less than:	20% of Lot Depth							
Need not exceed:	20 ft	25 ft						
Side Yard								
Not less than:	5 ft		7 ft		10% of Lot Width, but not less than 5 ft		10 ft	
Need not exceed:	n/a				10 ft	n/a		
The required Side Yard may be reduced to 10% of the Lot Width, but in no event to less than 3 ft, where the Lot is less than the following widths:	50 ft		70 ft		n/a		70 ft*	
For Buildings or Structures with a height greater than 18 feet:	One additional foot shall be added to each required Side Yard for each increment of 10 feet or fraction thereof above the first 18 feet.							
For Buildings or Structures that have a side wall exceeding 14 feet in height and a continuous length greater than 45 feet:	An offset/ plane break shall be added that is a minimum depth of five feet beyond the required yard and a minimum							

	length of 10 feet. For the purpose of this Subdivision, height shall be measured from the existing or finished grade, whichever is lower, at each point along the perimeter of the building.	
Rear Yard		
Not less than:	15 ft	20 ft
Need not exceed:	n/a	25 ft
ft – feet n/a – the provision is not applicable Lot Depth – as defined in Section 12.03 of this Code Lot Width – as defined in Section 12.03 of this Code Notes: * Only applicable for Lots which are of record prior to July 1, 1966.		



Notwithstanding the required yards, or setbacks, outlined in Table 12.21 C.10-1 above, or those exceptions found in Section 12.22 of this Code, the following provisions shall apply:

Sec. 17. Sub-subparagraph (iv) of Subparagraph (1) of Paragraph (a) of Subdivision 10 of Subsection C of Section 12.21 of the Los Angeles Municipal Code is amended to read as follows:

(iv) Nothing contained in this Subparagraph (1) shall, however, be deemed to require Front Yards which exceed 40 feet in depth or allow Front Yards that are less than 5 feet in depth.

Sec. 18. Subparagraph (3) of Paragraph (a) of Subdivision 10 of Subsection C of Section 12.21 of the Los Angeles Municipal Code is amended to read as follows:

(3) **Front Yard Setbacks on Key Lots.** On Key Lots, the minimum Front Yard may be the average of the required Front Yard for the adjoining Interior Lot and the required Side Yard along the Street side of a Reversed Corner Lot. But such minimum Front Yard may apply for a distance of not more than 85 feet from the

rear Lot line of the Reversed Corner Lot, beyond which point the Front Yard specified in Table 12.21 C.10-1 or Subparagraph (1) of this Paragraph (a) shall apply. Where existing Buildings on either or both of said adjoining Lots are located nearer to the front or side Lot lines than the Yard required by this Paragraph (a), the Yards established by such existing Buildings may be used in computing the required Front Yard for a Key Lot, but may not be less than 5 feet in depth.

Sec. 19. Sub-subparagraph (i) Subparagraph (10) of Paragraph (a) of Subdivision 10 of Subsection C of Section 12.21 of the Los Angeles Municipal Code is amended to read as follows:

(i) **Garages in Front Yards.** A detached Private Garage may be located on the required Front Yard of a Lot where the Elevation of the ground at a point 50 feet from the front Lot line of a Lot and midway between the side Lot lines differs 10 feet or more from the curb level, provided every portion of the garage Building is at least 5 feet from the front Lot line. Where the wall of such garage is two-thirds below natural or finished Grade of the Lot, whichever is lower, said wall may extend to the adjacent side Lot line; in all other cases, said garage shall not be nearer to the side Lot line than the width of the Side Yard required for a main Building of the same height.

Sec. 20. Sub-subparagraph (ii) of Subparagraph (10) of Paragraph (a) of Subdivision 10 of Subsection C of Section 12.21 of the Los Angeles Municipal Code is amended to read as follows:

(ii) **Elevated Stairways, Porches, Platforms, Landing Places, or Balconies.** Balconies with 10 feet or more of vertical clearance beneath them may project or extend no more than 30 inches into a Front Yard. Notwithstanding any other provisions of this Code, on Lots fronting onto a Substandard Hillside Limited Street, elevated stairways, porches, platforms and landing places shall not project or extend into the Front Yard.

Sec. 21. Subparagraphs (7), (8), (9), (10), (11) and (12) of Paragraph (a) of Subdivision 10 of Subsection C of Section 12.21 of the Los Angeles Municipal Code are renumbered as Subparagraphs (8), (9), (10), (11), (12) and (13), respectively.

Sec. 22. Subparagraph (7) of Paragraph (a) of Subdivision 10 of Subsection C of Section 12.21 of the Los Angeles Municipal Code is added to read as follows:

(7) **Occupied Rooftop Deck Setback.** In the R1 Zone, any occupied rooftop deck shall be set back at least 3 feet from the minimum required side yard. This provision shall not apply to any rooftop deck located on the street side of a Corner Lot.

Sec. 23. Paragraph (b) of Subdivision 10 of Subsection C of Section 12.21 of the Los Angeles Municipal Code are amended to read as follows:

(b) **Maximum Residential Floor Area.** The maximum Residential Floor Area contained in all Buildings and Accessory Buildings shall not exceed the sum of the square footage of each Slope Band multiplied by the corresponding Residential Floor Area Ratio (RFAR) for the zone of the Lot, as outlined in Table 12.21 C.10-2a and Table 12.21 C.10-2b. This formula can be found in Table 12.21 C.10-2c, where “A” is the area of the Lot within each Slope Band, “RFAR” is the RFAR of the corresponding Slope Band, and “RFA” is the sum of the Residential Floor Area of each Slope Band.

Table 12.21 C.10-2a Single-Family Zone Hillside Area Residential Floor Area Ratios (RFAR)								
Slope Bands (%)	R1	RS	RE9	RE11	RE15	RE20	RE40	RA
0 – 14.99	0.45	0.45	0.40	0.40	0.35	0.35	0.35	0.25
15 – 29.99	0.45	0.40	0.35	0.35	0.30	0.30	0.30	0.20
30 – 44.99	0.40	0.35	0.30	0.30	0.25	0.25	0.25	0.15
45 – 59.99	0.35	0.30	0.25	0.25	0.20	0.20	0.20	0.10
60 – 99.99	0.30	0.25	0.20	0.20	0.15	0.15	0.15	0.05
100 +	0.00	0.00	0.00	0.00	0.00	0.00	0.00	0.00

Table 12.21 C.10-2b Single-Family Zone Hillside Area Residential Floor Area Ratios (RFAR)				
Slope Bands (%)	R1H1	R1H2	R1H3	R1H4
0 – 14.99	0.65	0.55	0.45	0.40
15 – 29.99	0.60	0.50	0.45	0.35
30 – 44.99	0.55	0.45	0.40	0.30
45 – 59.99	0.50	0.40	0.35	0.25
60 – 99.99	0.45	0.35	0.30	0.20
100 +	0.00	0.00	0.00	0.00

Table 12.21 C.10-2c Hillside Area Maximum Residential Floor Area Formula					
Slope Bands (%)	Area (sq-ft)		RFAR		Residential Floor Area
0 – 14.99	A ¹	X	RFAR ¹	=	RFA ¹
15 – 29.99	A ²	X	RFAR ²	=	RFA ²
30 – 44.99	A ³	X	RFAR ³	=	RFA ³
45 – 59.99	A ⁴	X	RFAR ⁴	=	RFA ⁴
60 – 99.99	A ⁵	X	RFAR ⁵	=	RFA ⁵
100 +	A ⁶	X	RFAR ⁶	=	RFA ⁶
Maximum Residential Floor Area				=	Sum of RFA ¹ through RFA ⁶

(1) **Slope Analysis Map.** As part of an application for a permit to the Department of Building and Safety, or for a Discretionary Approval as defined in Section 16.05 B of this Code to the Department of City Planning, the applicant shall submit a Slope Analysis Map based on a survey of the natural/existing topography, prepared, stamped and signed by a registered civil engineer or licensed land surveyor, to verify the total area (in square feet) of the portions of a property within each Slope Band identified in Table 12.21 C.10-2a. The Director of Planning, or his/her designee, shall verify that the Slope Analysis Map has been prepared by a registered civil engineer or licensed land surveyor. In addition, the Director of Planning, or his/her designee shall approve the calculated Maximum Residential Floor Area for the Lot by the registered civil engineer or licensed land surveyor using the Slope Analysis Map prior to applying for a permit from the Department of Building and Safety.

The map shall have a scale of not less than 1 inch to 100 feet and a contour interval of not more than 10 feet with 2-foot intermediates. The map shall also indicate the datum, source, and scale of topographic data used in the Slope analysis, and shall attest to the fact that the Slope analysis has been accurately calculated.

The Slope Analysis Map shall clearly delineate/identify the Slope Bands (i.e., with contrasting colors or hatching), and shall include a tabulation of the total area in square-feet within each Slope Band, as well as the RFAR and Residential Floor Area value of each corresponding Slope Band as shown on Table 12.21 C.10-2b.

The Slope Analysis Map shall be prepared using CAD-based, GIS-based, or other type of software specifically designed for such purpose.

(2) **Guaranteed Minimum Residential Floor Area.**

Notwithstanding the above, the maximum Residential Floor Area for all Buildings and Accessory Buildings on any Lot may be at least the percentage of the Lot size as outlined in Table 12.21 C.10-3 below or 800 square feet, whichever is greater.

Table 12.21 C.10-3 Guaranteed Minimum Residential Floor Area	
Zone	Percentage of Lot Size
R1	25%
RS	23%
RE9	20%
RE11	20%
RE15	18%
RE20	18%
RE40	18%
RA	13%

The guaranteed minimum for the original zone as stated in the paragraph above may apply to any Lot in place of the maximum Residential Floor Area calculation in Tables 12.21 C.10-2a and 12.21 C.10-2b. In addition, in the event that a Lot has an area that is less than 50 percent of the minimum Lot size for its Zone, was made nonconforming in Lot size as a result of an adopted zone change or code amendment changing the minimum Lot size, and met the minimum Lot size requirements of the original zone, the guaranteed minimum for the original zone as stated in this Subparagraph shall apply.

(3) **Residential Floor Area Bonus for RA, RE and RS**

Zones. An additional 20 percent of the maximum Residential Floor Area as determined by Table 12.21 C.10-2 of this Paragraph (b), or an additional 30 percent for Lots where the guaranteed minimum outlined in Subparagraph (2) of this Paragraph (b) is utilized, for that Lot shall be allowed if any of the options listed below is utilized. Only one bonus per property is allowed.

- (i) **Proportional Stories Option.** The total Residential Floor Area of each Story other than the Base Floor in a multi-Story Building does not exceed 75 percent of the Base Floor Area. This option shall only apply to flat Building pads where the Slope of the Building pad area prior to any Grading, as measured from the highest and lowest Elevation points of the existing Grade within five horizontal

feet of the exterior walls of the proposed Building or Structure, is less than 15 percent; or

(ii) **Front Facade Stepback Option.** The cumulative length of the exterior walls which are not a part of a garage facing the Front Lot Line, equal to a minimum of 25% of the Building width, shall be stepped-back a distance of at least 20% of the Building depth from a plane parallel to the Lot width established at the point of the Building closest to the Front Lot line. When the Front Lot line is not straight, a line connecting the points where the Side Lot lines and the Front Lot line intersect shall be used to establish the plane parallel to the front Lot width. When Through Lots have, or are required to provide, two Front Yard setbacks, the step-back shall be provided along both Front Lot Lines. When referred by the Department of Building and Safety due to unusual Building and/or Lot configuration, the Director of Planning or his/her designee shall determine that the proposed project complies with this provision and qualifies for a Residential Floor Area bonus.

For the purposes of this provision, all exterior walls that intersect a plane parallel to the Front Lot Line at 45 degrees or less shall be considered to be facing the Front Lot Line. The Building width shall be the greatest distance between the exterior walls of the Building measured parallel to the Lot width. The Building depth shall be the greatest distance between the exterior walls of the Building measured parallel to the Lot depth.

This option shall only apply to Structures which are no within 35 feet of the Frontage along an improved Street and on a "flat" Building pad where the Slope of the Building pad prior to any Grading, as measured from the highest point of the existing Grade within five horizontal feet of the exterior wall of the proposed Building or Structure to the lowest point of the existing natural Grade within five horizontal feet, is less than 15%; or

(iii) **Cumulative Side Yard Setbacks Option.** The combined width of Side Yards shall be at least 25% of the total Lot Width, as defined in Section 12.03 of this Code, but in no event shall a single Side Yard setback be less than 10% of the Lot Width or the minimum required by Paragraph (a) of this Subdivision, whichever is greater. One (1) foot shall be added to each required Side Yard for each

increment of 10 feet or fraction thereof of height above the first 18 feet of height. The width of a required Side Yard setback shall be maintained for the entire length of a Side Yard and cannot alternate from one Side Yard to the other; or

(iv) **18-Foot Envelope Height Option.** For properties which are not in the “1SS” Single-Story Height District, the maximum envelope height, measured pursuant to Subparagraph (1) of Paragraph (d) of this Subdivision 10, shall be no more than 18 feet; or

(v) **Multiple Buildings Option.** In addition to the Lot coverage requirements in Paragraph (e) of this Subdivision, any one Building and Structure extending more than 6 feet above Hillside Area Grade, as defined in Section 12.03 of this Code, shall cover no more than 20% of the area of a Lot. Such Buildings or Structures may only be connected by one breezeway, fully enclosed walkway, elevator, or combination thereof of not more than 5 feet in width; or

(vi) **Minimal Grading Option.** For properties where at least 60% of the Lot is comprised of Slopes which are 30% or greater, as determined by a Slope Analysis Map prepared in accordance with Subparagraph (1) of this Paragraph (b), the total amount of any Grading on the site [including exempted Grading, as outlined in Paragraph (f) of this Subdivision (10)] does not exceed the numeric value of 10% of the total Lot size in cubic yards or 1,000 cubic yards, whichever is less (example: a project involving 500 cubic-yards of Grading on a 5,000 square-foot Lot will be eligible for this bonus option).

(4) **Zoning Administrator’s Authority.**

(i) **10% Adjustments.** The Zoning Administrator has the authority to grant adjustments from the requirements of this Paragraph (b) of not more than 10%, pursuant to the authority and procedures established in Subsection A of Section 12.28 of this Code.

(ii) **Residential Floor Area Added to Lots with Existing Buildings Built Prior to August 1, 2010.** The Zoning Administrator has the authority to approve construction that adds Residential Floor Area, in excess of

the maximum Residential Floor Area provided in Paragraph (b) of this Section, to a lot that includes a main Building that existed prior to August 1, 2010, and for which permits were previously obtained, pursuant to the authority and procedures established in Subdivision 28 of Subsection X of Section 12.24 of this Code, provided:

a. the total cumulative Residential Floor Area of all such additions does not exceed 1,000 square feet; and

b. the resulting Building does not exceed the height of the original Building or the height permitted in Paragraph (d) of this Subdivision 10 below, whichever is greater; and

c. at least two off-street covered parking spaces are provided.

Sec. 24. Paragraph (c) of Subdivision 10 of Subsection C of Section 12.21 of the Los Angeles Municipal Code is amended to read as follows:

(c) **Verification of Existing Residential Floor Area.** For additions with cumulative Residential Floor Area of less than 1,000 square feet constructed after August 1, 2010, or remodels of Buildings built prior to August 1, 2010, the existing Residential Floor Area shall be determined based on the building records or the Building square footage shown on the most recent Los Angeles County Tax Assessor's records at the time the plans are submitted to the Department of Building and Safety and a plan check fee is paid. Except that Residential Floor Area may be calculated as defined in Section 12.03 of this Code when a complete set of fully dimensioned plans with area calculations of all the Structures on the Lot, prepared by a licensed architect or engineer, is submitted by the applicant.

Any work that does not qualify as a remodel, as defined in the paragraph below, or additions that are 1,000 square feet or larger shall require a complete set of fully dimensioned plans with area calculations of all the Structures on the Lot prepared by a licensed architect or engineer.

For the purposes of implementing this Paragraph (c), a remodel shall mean the alteration of an existing Building or Structure, provided that at least 50 percent of the perimeter length of the contiguous exterior walls and 50 percent of the roof are retained.

Sec. 25. Sub-subparagraph (i) of Subparagraph (1) of Paragraph (d) of Subdivision 10 of Subsection C of Section 12.21 of the Los Angeles Municipal Code is amended to read as follows:

(i) **Maximum Envelope Height.** Envelope height (otherwise known as vertical height or “plumb line” height) shall be the vertical distance from the Hillside Area Grade to a projected plane at the roof Structure or parapet wall located directly above and parallel to the Grade. Measurement of the envelope height shall originate at the adjacent Hillside Area Grade at the exterior walls of a Building or Structure. At no point shall any given section of any part of the proposed Building or Structure exceed the maximum envelope height.

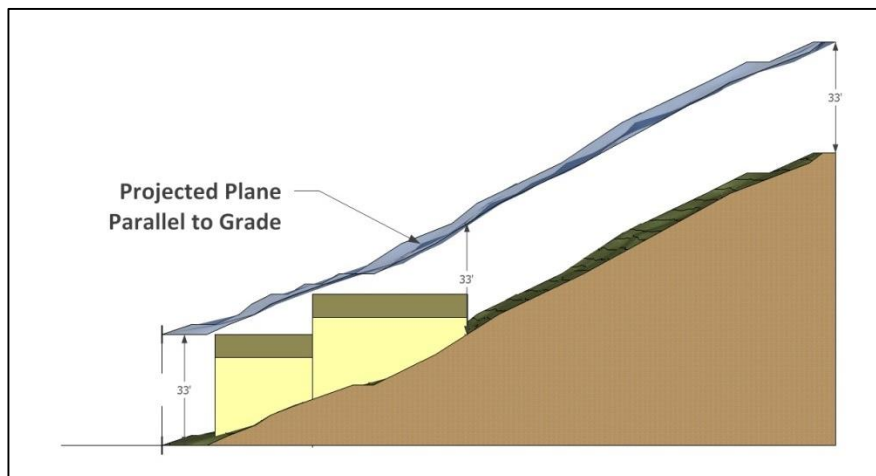


Figure 12.21 C.10(d)(1)(i): Maximum Envelope Height diagram.

Sec. 26. Sub-subparagraphs (ii) and (iii) of Subparagraph (1) of Paragraph (d) of Subdivision 10 of Subsection C of Section 12.21 of the Los Angeles Municipal Code are added to read as follows:

(ii) **Encroachment Plane.** In the R1 Zone, the encroachment plane shall originate from a point that is 20 feet in height from the existing or finished grade, whichever is lower, along the required front and side yard setbacks.

(iii) A topographic map shall be submitted as a separate plan sheet or as part of the site plan identifying the perimeter of the exterior walls, or any other information which the Department of Building and Safety deems necessary to determine compliance with this Paragraph.

Sec. 27. Subparagraph (5) of Paragraph (d) of Subdivision 10 of Subsection C of Section 12.21 of the Los Angeles Municipal Code is amended to read as follows:

(5) **Lots Fronting on Substandard Hillside Limited Streets.** For any Lot fronting onto a Substandard Hillside Limited Street, as defined in Section 12.03, no portion of a Building or Structure within 20 feet of the Front Lot Line shall exceed 24 feet in height. The 24-foot maximum Building and Structure height shall be measured from the Elevation at the centerline or midpoint of the Street on which the Lot fronts.

Sec. 28. Subparagraph (6) of Paragraph (d) of Subdivision 10 of Subsection C of Section 12.21 of the Los Angeles Municipal Code is amended to read as follows:

(6) **Unenclosed/Uncovered Cantilevered Balconies.** Unenclosed/uncovered cantilevered balconies and “visually permeable railing” (no more than 42 inches in height), may project no more than 5 horizontal feet beyond the maximum envelope height, as limited and measured in Subparagraph (1) of this Paragraph (d).

For the purposes of this Subparagraph (6), “visually permeable railing” means railing constructed of material that is transparent, such as glass or plastic panels, or wrought iron or other solid material which is 80 percent open to light and air.

Sec. 29. Paragraph (f) of Subdivision 10 of Subsection C of Section 12.21 of the Los Angeles Municipal Code is amended to read as follows:

(f) **Grading.** Notwithstanding any other provisions of this Code, total Grading (Cut and Fill) on a Lot shall be limited as outlined below. No Grading permits shall be issued until a Building permit is approved.

(1) **Maximum Grading Quantities.** The cumulative quantity of Grading, or the total combined value of both Cut and Fill or incremental Cut and Fill, for any one property shall be limited to a base maximum of 1,000 cubic yards plus the numeric value equal to 10% of the total Lot size in cubic yards. Example: a 5,000 square-foot Lot would have a maximum Grading amount of 1,500 cubic yards (1,000 cubic yards for the base amount + 500 cubic yards for the 10% calculation).

However, the cumulative quantity of Grading shall not exceed the maximum “by-right” Grading quantities outlined by Zone in Table 12.21 C.10-6 below.

Table 12.21 C.10-6 Maximum "By-Right" Grading Quantities	
Zone	Maximum Grading (cubic yards)
R1	1,000
RS	2,200
RE9	2,400
RE11	2,800
RE15	3,200
RE20	4,000
RE40	6,600
RA	3,600

(2) **Import/Export Limits.** Earth import and export activities may take place only between the hours of 9:00 a.m. and 3:00 p.m., Monday through Friday. The maximum quantity of earth import or export shall be limited to the following quantities:

(i) **Lots Fronting on Standard Hillside Limited Streets or Larger.** For a property which fronts onto a Standard Hillside Limited Street or larger, as defined in Section 12.03 of this Code, the maximum quantity of earth import and export combined shall be no more than the maximum "by-right" grading quantities as listed in Table 12.21 C.10-6 above.

(ii) **Lots Fronting on Substandard Hillside Limited Streets.** For a property which fronts onto a Substandard Hillside Limited Street, as defined in Section 12.03 of this Code, the maximum quantity of earth import and export combined shall be no more than 75 percent of the maximum "by-right" grading quantities as listed in Table 12.21 C.10-6 above.

(iii) **Exempted On-Site Grading Activity.** Earth quantities which originate from, or will be utilized for any exempted Grading activity listed in Subparagraph (3) of this Paragraph (f) shall be exempted from the maximum import and export quantities set forth in this Paragraph (f). A plan indicating the destination and/or source (i.e., exempted Grading activity or non-exempted Grading activity) of any import and/or export shall be submitted as part of a Grading permit application.

(3) **Exemptions.** The Grading activities outlined in the sub-subparagraphs below shall be exempt from the Grading and/or earth transport limitations established in Subparagraphs (1) and (2)

of this Paragraph (f). However, any excavation from an exempted activity being used as Fill, outside of a 5-foot perimeter from the exempted Grading activities, for any other on-site purpose shall be counted towards the limits established in Subparagraph (1) of this Paragraph (f).

(i) Cut and/or Fill for deepened foundation systems (such as caissons and piles), water storage tanks, required stormwater retention improvements, and required animal keeping site development that do not involve the construction of any freestanding retaining walls.

(ii) Cut and/or Fill, up to 500 cubic yards, for driveways to the required parking or fire department turnaround closest to the accessible Street for which a Lot has ingress/egress rights.

(iii) Remedial Grading as defined in Section 12.03 of this Code as recommended in a Geotechnical Investigation Report, prepared in accordance with Sections 91.7006.2, 91.7006.3 and 91.7006.4 of this Code, and approved by the Department of Building and Safety - Grading Division.

(iv) Fill resulting from Cut underneath the footprint of the main Building, not to exceed 50 percent of said Cut.

(4) **Zoning Administrator's Authority.** A Zoning Administrator may grant the following deviations from the requirements of Subparagraphs (1) and (2) of this Paragraph (f), pursuant to the authority and procedures established in Subdivision 28 of Subsection X of Section 12.24 of this Code.

(i) Grading in excess of the maximum "by-right" Grading quantities listed in Subparagraph (1) of this Paragraph (f), but in no event shall the quantities exceed the true value of 1,000 cubic yards plus the numeric value equal to 10% of the total Lot size in cubic yards.

(ii) For a property which fronts onto a Standard Hillside Limited Street or larger, as defined in Section 12.03 of this Code, increase the maximum quantity of earth import and export combined greater than the maximum "by-right" grading quantities as listed in Table 12.21 C.10-6, up to the amount calculated pursuant to Subparagraph (1) of this Paragraph (f).

For a property which fronts onto a Substandard Hillside Limited Street, as defined in Section 12.03 of this Code, increase the maximum quantity of earth import and export combined greater than 75 percent of the maximum “by-right” grading quantities as listed in Table 12.21 C.10-6, up to the amount calculated pursuant to Subparagraph (1) of this Paragraph (f).

(5) **New Graded Slopes.** All new Graded Slopes shall be no steeper than 2:1 (horizontal:vertical), except when the Department of Building and Safety – Grading Division has determined that Slopes may exceed 2:1 pursuant to Section 91.105 of this Code.

(6) **Grading Activity on 100% Slopes.** Notwithstanding the Grading, Excavations and Fills provisions in Chapter IX of this Code (the Los Angeles Building Code), when any Grading activity is proposed on any slope of 100 percent or greater, as identified on the Slope Analysis Map, the Department of Building and Safety – Grading Division shall require the Geotechnical Investigation Report (also referred to as a soils and/or geological report) to include the most stringent level of geotechnical analysis and reporting feasible, and in sufficient detail to substantiate and support the design and construction methods being proposed.

A Deputy Grading Inspector, also referred to as a Registered (Licensed) Deputy Inspector, paid for by the owner, will be required to be on site when said Grading activity is being conducted in order to ensure that all work is being done in accordance with the recommendations of the Geotechnical Report, the approved plans, and/or the applicable Grading requirements of the Los Angeles Building Code for applicable Grading or foundation earthwork in Hillside Areas.

(7) **Grading Plan Check Criteria.** Grading plans and reports shall be submitted for approval with Building plans, and shall include those items required by Section 91.7006 of this Code.

Sec. 30. Subparagraph (2), Paragraph (g) of Subdivision 10 of Subsection C of Section 12.21 of the Los Angeles Municipal Code is amended to read as follows:

(2) **Additional Required Spaces.** For a main Building and any Accessory Building located on a Lot which fronts on a Substandard Hillside Limited Street, excluding Floor Area devoted to required parking, which exceed a combined Residential Floor Area of 2,400 square feet, there shall be one additional parking

space provided for each additional increment of 1,000 square feet or fraction thereof of Floor Area for a maximum of five total on-site spaces. These additional required parking spaces are not required to be covered. Notwithstanding the provisions of Subparagraph (1) of this Paragraph (g), when a Lot fronts onto a Substandard Hillside Limited Street, the additional parking spaces may be located within the required Front Yard.

Sec. 31. Subparagraph (2) of Paragraph (I) of Subdivision 10 of Subsection C of Section 12.21 of the Los Angeles Municipal Code is amended to read as follows:

(2) **Residential Floor Area Added to Lots with Existing Buildings Built Prior to August 1, 2010.** Any construction that adds Residential Floor Area, in excess of the maximum Residential Floor Area provided in Paragraph (b) of this Section, to a lot that includes a main Building that existed prior to August 1, 2010, and for which permits were previously obtained, provided that:

(i) the total cumulative Residential Floor Area of all such additions does not exceed 500 square feet (excluded from calculations of this 500 square foot limitations is Floor Area devoted to required covered parking); and

(ii) the resulting Building complies with the requirements of Paragraphs (a) (Setback Requirements), (d) (Height Limits) and (f) (Grading) of this Subdivision 10.

Sec. 32. Subparagraph (6) of Paragraph (I) of Subdivision 10 of Subsection C of Section 12.21 of the Los Angeles Municipal Code is amended to read as follows:

(6) **Large Active Remedial Grading Projects.** Properties with active Remedial Grading Permits for 100,000 cubic yards or more which have been issued by the Department of Building and Safety-Grading Division before July 1, 2010, are exempt from Paragraphs (b) (Maximum Residential Floor Area), (d) (Height Limits) and (f) (Grading) of this Subdivision. Such properties shall remain subject to the provisions of Subdivision 17 of Subsection A of Section 12.21 of this Code, and all other zoning and Building regulations applicable at the time Building Permits are issued. This exception shall expire 85 months after July 1, 2010.

Sec. 33. The first unnumbered paragraph of Section 12.21.1 of the Los Angeles Municipal Code is amended to read as follows:

SEC. 12.21.1. HEIGHT OF BUILDING OR STRUCTURES.

No building or structure shall be erected or enlarged which exceeds the total floor area, the number of stories or the height limits hereinafter specified for the district in which the building or structure is located. Provided, however, that with respect to height, buildings and structures located within the boundaries of the Century City North and Century City South Specific Plans shall comply solely with the requirements of the respective specific plan and the requirements of Section 12.21.2 of this Code; that buildings and structures located within Community Redevelopment Plan Areas shall comply with the requirements of Section 12.21.3 of this Code; that buildings and structures located within Enterprise Zones shall comply with the requirements of Section 12.21.4 of this Code; that buildings and structures located within Centers Study Areas designated on Maps Numbered 1 through 29 referred to in Section 12.21.5 of this Code, shall comply with the requirements of Section 12.21.5 of this Code; and that buildings and structures located in the R1V, R1F, and R1R One-Family Zone Variations shall comply with the requirements of Section 12.21.6 of this Code. Such designations are consistent with the purposes, intent and provisions of the General Plan.

Sec. 34. Section 12.21.6 is added to the Los Angeles Municipal Code to read:

SEC. 12.21.6 HEIGHT OF BUILDINGS OR STRUCTURES IN ALL R1V, R1F, and R1R ONE-FAMILY ZONE VARIATIONS.

Lots zoned R1V, R1F and R1R shall comply with all height limitations in 12.08 C.5(b)-(d).

Sec. 35. Subsection A of Section 12.23 of the Los Angeles Municipal Code is amended to read as follows:

A. Buildings with Nonconforming Area, Height, Encroachment Plane, Yards or Lot Coverage Regulations.

1. **Buildings Nonconforming as to Area or Yard Regulations.** A building, nonconforming as to area or yard regulations, may be repaired, altered, or internally remodeled, provided at least 50 percent of the perimeter length of the existing nonconforming portion of the exterior walls of the building are retained. It may be expanded in floor area provided the expansion conforms to the requirements of this Code, subject to the following provisions:

(a) a building, nonconforming only as to yard regulations, may be added to or enlarged in any manner provided:

(i) any addition or enlargement that is located in the required yard that is nonconforming does not encroach into any portion of that required yard to a greater extent than the existing nonconforming building encroaches; and

(ii) in no event shall any addition or enlargement reduce the width of a side yard or the depth of a front or rear yard to less than 50 percent of that required by the current yard regulations of the zone and other applicable current land use regulations; and

(iii) the total of all additions or enlargements, made since the building became nonconforming as to yard regulations, which encroach into any required yard, shall not exceed in height or length the height or length of that portion of the adjoining nonconforming building that extends into the same required yard.

(iv) Notwithstanding Sub-subparagraphs (i), (ii) and (iii) of this Sub-paragraph, a building nonconforming as to the Yard regulations on properties zoned RA, RE, RS and R1, not including properties in the Coastal Zone which are not located in a Hillside Area as defined in Section 12.03 of this Code, shall not be added to or enlarged in any manner unless the addition or enlargement conforms to all the current regulations of the zone and other applicable current land use regulations, except as may be approved or permitted pursuant to a discretionary approval as that term is defined in Section 16.05 B of this Code.

(b) A residential building, nonconforming as to the area regulations (density), in the OS, A, R, P, PB, C or PF Zones, may be enlarged, provided that the enlargement does not create any additional dwelling units or guest rooms.

(c) Notwithstanding Paragraphs (a) and (b) above and Subdivision 2 of this Subsection, a building, nonconforming as to the Residential Floor Area regulations on properties zoned RA, RE, RS and R1, not including properties in the Coastal Zone which are not located in a Hillside Area, as defined in Section 12.03 of this Code, shall not be added to or enlarged in any manner unless the addition or enlargement conforms to all the current regulations of the zone and other applicable current land use regulations, except as permitted by Section 12.21 C.10(I) and except as may be approved or permitted pursuant to a discretionary approval, as that term is defined in Section 16.05 B. of this Code. However, alterations, other than additions or enlargements to existing buildings, may be made provided that at least 50 percent of the perimeter length of the contiguous exterior walls and 50 percent of the roof are retained.

2. Buildings Nonconforming as to Height or Encroachment Plane. A building, nonconforming only as to height or encroachment plane regulations, may not be added to or enlarged in any manner, unless the additions or enlargements conform to all the current regulations of the zone and other applicable current land use regulations, provided that the total aggregate floor area included in all the separate additions or enlargements shall not exceed 50 percent of the floor area of the ground floor of the building or structure.

3. Buildings Nonconforming as to Lot Coverage. A building, nonconforming as to the Lot Coverage regulations on properties zoned RA, RE, RS, and R1, shall not be added to or enlarged in any manner unless the addition or enlargement conforms to all the current regulations of the zone and other applicable current land use regulations, except as may be approved or permitted pursuant to a discretionary approval, as that term is defined in Section 16.05 B. of this Code. However, alterations, other than additions or enlargements to existing buildings, may be made provided that at least 50 percent of the perimeter length of the contiguous exterior walls and 50 percent of the roof are retained.

4. Moving Nonconforming Buildings. A nonconforming building or structure may not be moved, in whole or in part, to any other location on the lot unless every portion of the building or structure that is moved is made to conform to all the current regulations of the zone and other applicable current land use regulations, except as otherwise permitted by Section 12.22 C.13. of this Code.

5. Restoration of Damaged Nonconforming Buildings.

(a) A nonconforming building or structure, which is damaged or partially destroyed by any fire, flood, wind, earthquake or other calamity or the public enemy, may be restored and the occupancy or use of the building, structure or part of the building or structure, which existed at the time of the damage or destruction, may be continued or resumed, provided that the total cost of restoration does not exceed 75 percent of the replacement value of the building or structure at the time of the damage or destruction. A permit for restoration shall be obtained within a period of two years from the date of the damage or destruction. Except as set forth in Paragraph (b) below, if the damage or destruction exceeds 75 percent of the replacement value of the nonconforming building or structure at the time of the damage or destruction, no repairs or restoration shall be made unless every portion of the building or structure is made to conform to all regulations for new buildings in the zone in which it is located, and other applicable current land use regulations.

(b) If the damage or destruction of a nonconforming single-family or two-family dwelling, multiple dwelling or apartment house in the OS, A, R, P, PB, C, M or PF Zones exceeds 75 percent of its replacement

value at the time of the damage or destruction, the building or structure may be reconstructed provided:

- (i) that each side yard is no less than one-half the required side yard for new buildings in the zone in which it is located, or in other applicable current land use regulations, but in no event less than three feet; and
- (ii) that the front and rear yards are at least one-half the required front and rear yards for new buildings in the zone in which it is located, or in other applicable current land use regulations; and
- (iii) that neither the footing, nor the building or structure projects into any area planned for widening or extension of existing or future streets as determined by the Advisory Agency upon the recommendation of the City Engineer; and
- (iv) that the height shall not exceed the allowable height for new buildings or structures in the zone in which it is located, or in other applicable current land use regulations; and
- (v) that a building permit for the reconstruction be obtained within two years of the damage or destruction from fire, flood, wind, earthquake, or other calamity or the public enemy.

6. Replacement of Earthquake Hazardous Buildings.

Notwithstanding any other provision of this article to the contrary, a building nonconforming as to height, number of stories, lot area, loading space or parking, which is demolished as a result of enforcement of the Earthquake Hazard Reduction Ordinance (Article 1, Chapter IX of this Code), may be reconstructed with the same nonconforming height, number of stories, lot area, loading space or parking as the original building, provided, however, that reconstruction shall be commenced within two years of obtaining a permit for demolition and completed within two years of obtaining a permit for reconstruction. Provided further, that neither the footing, nor any portion of the replacement building may encroach into any area planned for widening or extension of existing or future streets as determined by the Advisory Agency upon the recommendation of the City Engineer.

Additionally, a building nonconforming as to use or yards, which is demolished as a result of enforcement of the Earthquake Hazard Reduction Ordinance, may be reconstructed with the same nonconforming use or yards provided that the approval of a Zoning Administrator is obtained pursuant to Section 12.24 X.16. of this Code.

Sec. 36. Paragraph (d) of Subdivision 2 of Subsection C of Section 12.28 of the Los Angeles Municipal Code is amended to read as follows:

(d) For R1, RS, RE and RA Zoned properties the Zoning Administrator must conduct a public hearing for any Adjustment or Slight Modification requests.

Sec. 37. Subdivision 2 of Subsection S of Section 12.32 of the Los Angeles Municipal Code is amended to add a new "RG" Rear Detached Garage Supplemental Use District:

2. **Districts.** In order to carry out the provisions of this article, the following districts are established:

"O"	Oil Drilling District
"S"	Animal Slaughtering District
"G"	Surface Mining District
"RPD"	Residential Planning Development District
"K"	Equinekeeping District
"CA"	Commercial and Artcraft District
"POD"	Pedestrian Oriented District
"CDO"	Community Design Overlay District
"MU"	Mixed Use District
"FH"	Fence Height District
"SN"	Sign District
"RFA"	Residential Floor Area District
"NSO"	Neighborhood Stabilization Overlay District
"CPIO"	Community Plan Implementation Overlay District
"HS"	Hillside Standards Overlay District
"MPR"	Modified Parking Requirement District
"RIO"	River Improvement Overlay District
"CUGU"	Clean Up Green Up Overlay District
"RG"	Rear Detached Garage District

Sec. 38. The table of contents preceding Section 13.00 of the Los Angeles Municipal Code is amended to read as follows:

Section

- 13.01 "O" Oil Drilling Districts.
- 13.02 "S" Animal Slaughtering Districts.
- 13.03 "G" Surface Mining Operations Districts.
- 13.04 "RPD" Residential Planned Development Districts.
- 13.05 "K" Equinekeeping Districts.
- 13.06 Commercial and Artcraft Districts.
- 13.07 Pedestrian Oriented District.
- 13.08 "CDO" Community Design Overlay District.
- 13.09 Mixed Use District.
- 13.10 Fence Heights District.
- 13.11 "SN" Sign District.
- 13.12 "NSO" Neighborhood Stabilization Overlay District.
- 13.13 "RFA" Residential Floor Area District.
- 13.14 "CPIO" Community Plan Implementation Overlay District.
- 13.15 Modified Parking Requirement (MPR) District.
- 13.16 "HS" Hillside Standards Overlay District.
- 13.17 "RIO" River Improvement Overlay District.
- 13.18 "CUGU" Clean Up Green Up Overlay District.
- 13.19 "RG" Rear Detached Garage District.
- 13.20 Violation.

Sec. 39. Section 13.19 of the Los Angeles Municipal Code is amended to read as follows:

SEC. 13.19. "RG" SINGLE-FAMILY ZONE REAR DETACHED GARAGE DISTRICT.

A. Purpose. The regulations set forth in this Section are to facilitate the compatible placement of garages on lots in single-family residential zones where the predominant building form includes a main building with a rear detached garage. These

regulations mandate that the covered parking requirement for single-family zoned properties within the district be satisfied by a private garage and not by any open air building or carport. The regulations for this district also mandate that the garage be detached and placed within the rear half of the lot. For purposes of this section, “garage” is defined as a building enclosed by walls with a door or doors that meet the requirements of Section 12.21 A.4(a).

B. Applicability. A district established pursuant to this section shall be a grouping of lots zoned RA, RE, RS, or R1 not located in a Hillside Area or Coastal Zone.

C. Limitations. All lots within a district shall be subject to the following conditions:

1. The covered parking requirement of the Code shall be satisfied by a private garage and not by any open air building or carport.

2. Garages required in Subdivision 1:

(a) shall be located within the rear half of the lot, or at least 55 feet from a Front Lot Line;

(b) shall be detached from the main building of the lot; and

(c) shall comply with Section 12.21 C.5 of this Code.

3. Exceptions to Subdivision 2 of this Subsection.

(a) Lots 3,000 square feet or less, shall not be subject to paragraphs (a) and (b) in Subdivision 2 of this Subsection.

(b) Notwithstanding, Section 12.21 C.5(k), Through Lots with no Rear Lot Line shall set back the garage from both Front Lot Lines a distance of at least 40 feet and shall not be subject to paragraph (a) in Subdivision 2 of this Subsection.

(c) Through Lots with no Rear Lot Line and a lot depth less than 100 feet shall be exempt from Paragraph (a) of Subdivision 2 of this Subsection.

Sec. 40. Section 13.20 is added to the Los Angeles Municipal Code to read:

SEC. 13.20. VIOLATION. The violation of any condition imposed by a Zoning Administrator, Director of Planning, the Area Planning Commission, City Planning

Commission or City Council in approving the site requirements, methods of operation, development plans or other actions taken pursuant to the authority contained in this article shall constitute a violation of this Code.

Sec. 41. Projects requiring a discretionary entitlement from the Department of City Planning shall be not be subject to the provisions of this ordinance so long as an application for the complete entitlement is filed and a fee paid prior to the date on which this ordinance becomes effective. Any such project shall be subject to the regulations that were in effect on the date on which the application was filed.

Sec. 42. **URGENCY CLAUSE.** The City finds and declares that this ordinance is required for the immediate protection of the public peace, health and safety for the following reasons: The proliferation of towering, box-like structures in single-family residential neighborhoods Citywide poses a current and immediate threat to the public welfare, including degradation of neighborhood character, loss of neighbors' privacy, curtailment of development potential, and negative impacts to aesthetics and general quality of life; that allowing the Interim Control Ordinances of March 25, 2015, to expire without adopting permanent regulations imposing limitations on development would cause the issuance of building permits under the current Citywide regulations for single-family homes to resume; and that the continued development of single-family zoned properties under the current Citywide regulations, or the resumption of the issuance of building permits under the current Citywide regulations, will result in that threat to the public welfare. For all of these reasons, this ordinance shall become effective upon publication pursuant to Section 253 of the Los Angeles City Charter.

Sec. 43. **SEVERABILITY.** If any portion, subsection, sentence, clause or phrase of this ordinance is for any reason held by a court of competent jurisdiction to be invalid, such a decision shall not affect the validity of the remaining portions of this ordinance. The City Council hereby declares that it would have passed this ordinance and each portion or subsection, sentence, clause and phrase herein, irrespective of the fact that any one or more portions, subsections, sentences, clauses or phrases be declared invalid.

Sec. 44. The City Clerk shall certify to the passage of this ordinance and have it published in accordance with Council policy, either in a daily newspaper circulated in the City of Los Angeles or by posting for ten days in three public places in the City of Los Angeles: one copy on the bulletin board located at the Main Street entrance to the Los Angeles City Hall; one copy on the bulletin board located at the Main Street entrance to the Los Angeles City Hall East; and one copy on the bulletin board located at the Temple Street entrance to the Los Angeles County Hall of Records.

I hereby certify that this ordinance was passed by the Council of the City of Los Angeles, **by a vote of not less than three-fourths** of all its members, at its meeting of _____.

HOLLY L. WOLCOTT, City Clerk

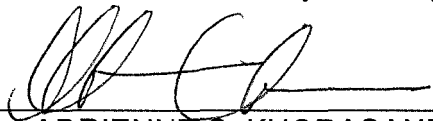
By _____ Deputy

Approved _____

Mayor

Approved as to Form and Legality

MICHAEL N. FEUER, City Attorney


By 
ADRIENNE S. KHORASANEE
Deputy City Attorney

Date March 1, 2017

Pursuant to Charter Section 559, I **disapprove** this ordinance on behalf of the City Planning Commission and recommend that it be adopted
.....

March 1, 2017

See attached report.


Vincent P. Bertoni, AICP
Director of Planning

File No. CF 14-0656, CF-16-1460